

Installation Manual

Strata *LED Light*



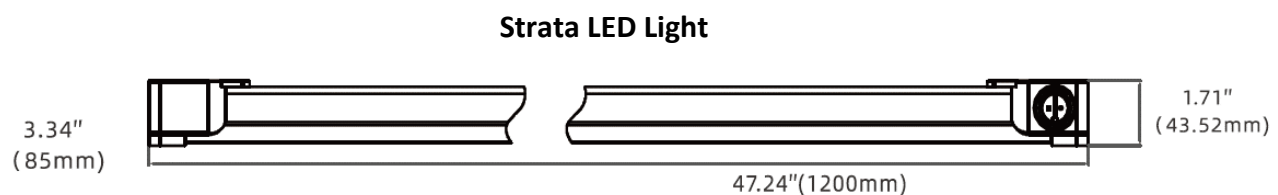
Background

This manual provides instructions for the installation and electrical interconnections of the Strata LED light. Please contact customer support with any installation questions.

General Guidelines

- ***Note, the Strata light will not be powered unless the “Cap Connector” is attached to the cable receptacle on the last Strata light in the daisy chain – see page 5.***
- Confirm the overall integrity of the light fixture prior to installation.
- Maintain at least 8 inches (0.2 meters) between the light fixture and any combustible materials.
- Keep the light fixture away from sources of heat.
- The LED light is an indoor fixture that should be operated within an ambient temperature range of -20°C to 35°C.
- Ensure power is off before installation. Installation must be carried out by qualified electricians.
- To clean the light fixture, switch power off and use a dry cloth without corrosive cleaning agents.

Dimensions



Mounting Guidelines

The Strata light can be mounted to support structures using metal clips, metal hooks, or magnetized hooks.



Metal Clips



Metal Hooks

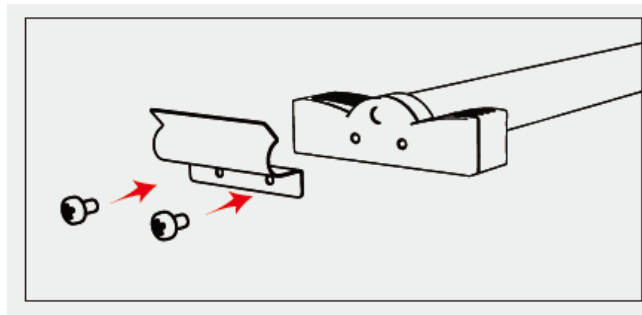


Magnetized Hooks

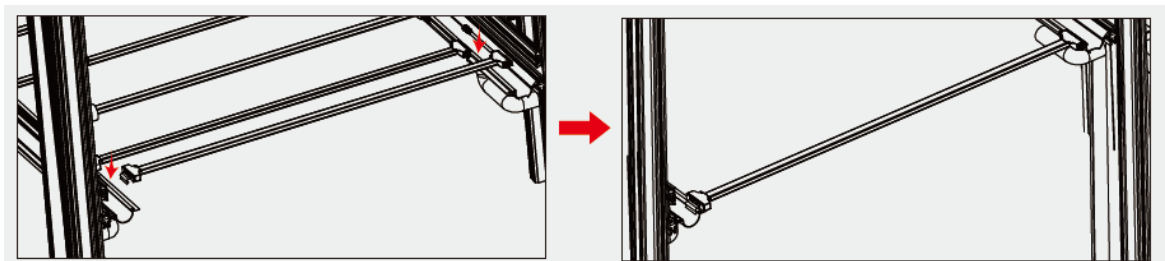
Metal Clip Mounting

Metal clips are screwed into both end caps of the Strata light, which then mate to matching features in a shelf or rack.

- 1) Attach the metal clips to each of the Strata light end caps of the strata light using screws.



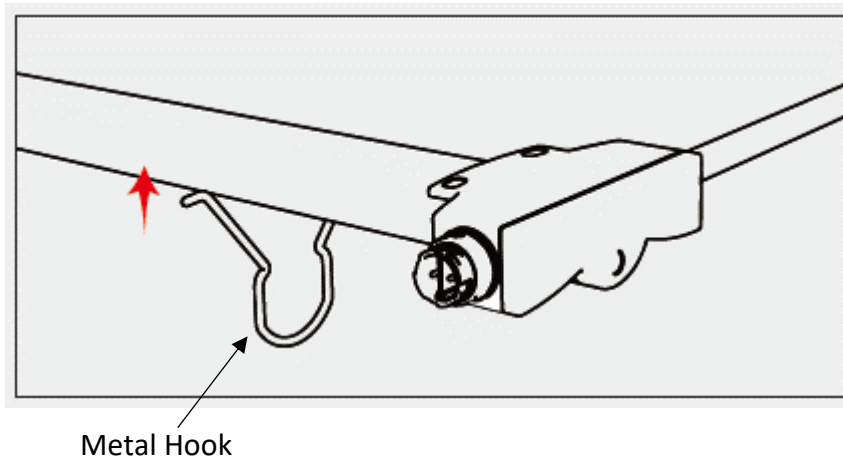
- 2) With the metal clips attached to the light, place the light into position on the shelf/rack as shown in the figure below.



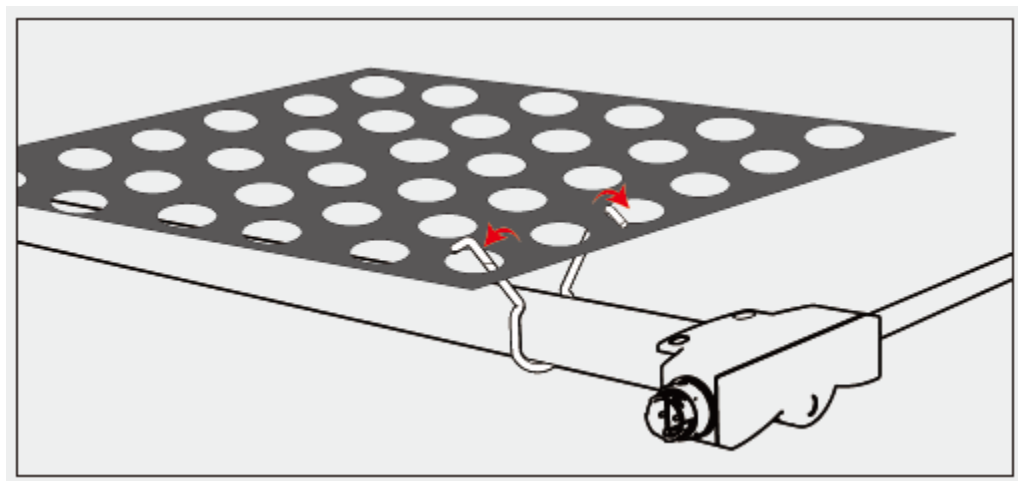
Metal Hook Mounting

Metal hooks will capture the Strata light and secure it to a support structure.

- 1) Press two (2) metal hooks toward both ends of the Strata light to capture it as shown in the figure.



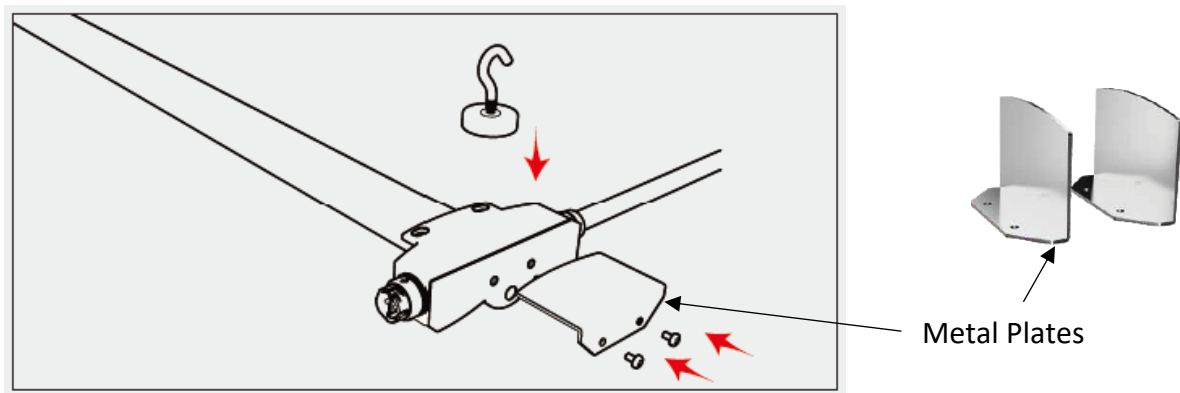
- 2) Hang the Strata light from a support shelf using the hooks.



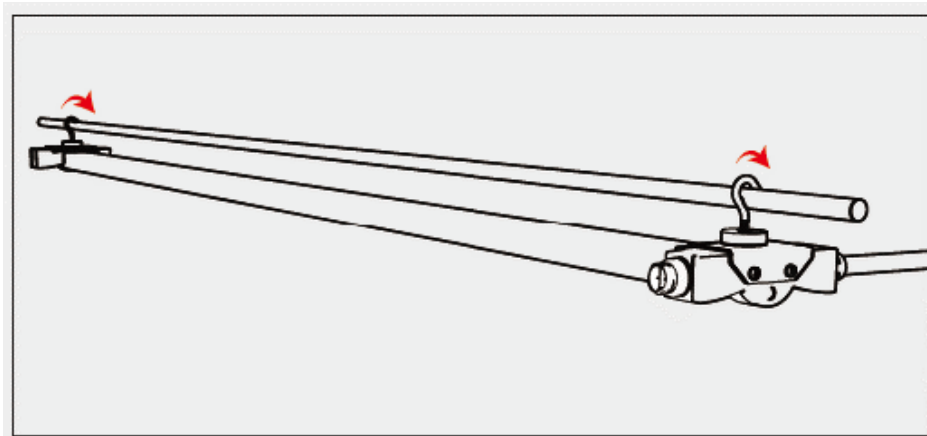
Magnetized Hook Mounting

Magnetized hooks interface with metal plates attached to the Strata light end caps. The hooks then capture a feature in the shelf/rack as shown below.

- 1) Secure the metal plate to the end caps of the light using screws, then place the magnetic hook on the metal plate.

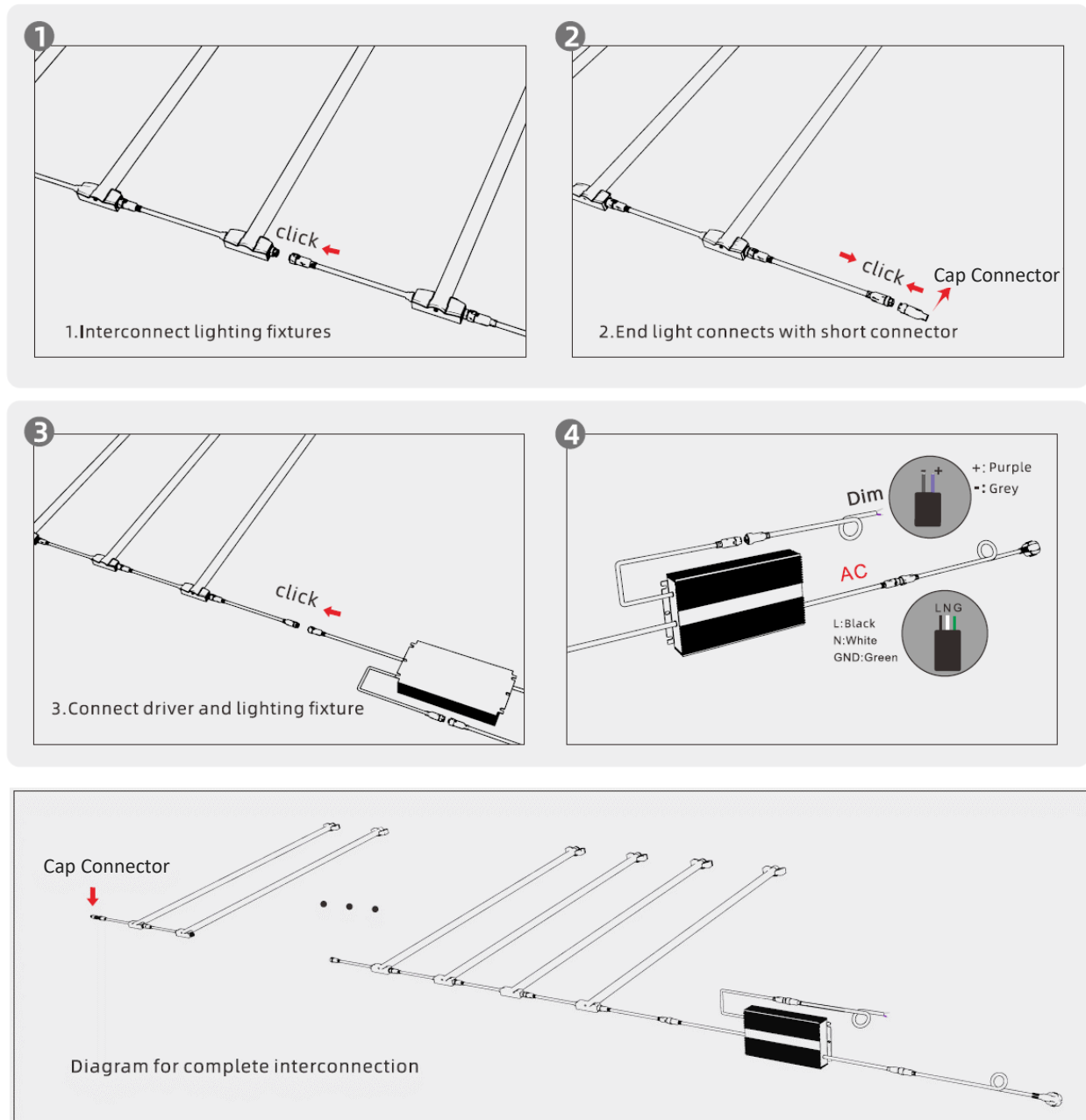


- 2) Hang the Strata light from the shelf/rack.



Electrical Connections

Strata LED lights can be electrically connected for both power and dimming as shown in the following figures. **The Cap Connector must be plugged into the last Strata light cable receptacle to power up the lights (See Figure 2 below).**



Drivers & Daisy-Chaining

Thrive Agritech offers external drivers for the Strata light at 320 watts and 880 watts. The maximum number of lights that can be connected in a daisy-chain for each driver is shown in the table below.

Strata Spectrum	320 Watt Driver	880 Watt Driver
White	10 Lights	28 Lights
Blue, Red, Far Red (BRFR)	10 Lights	26 Lights