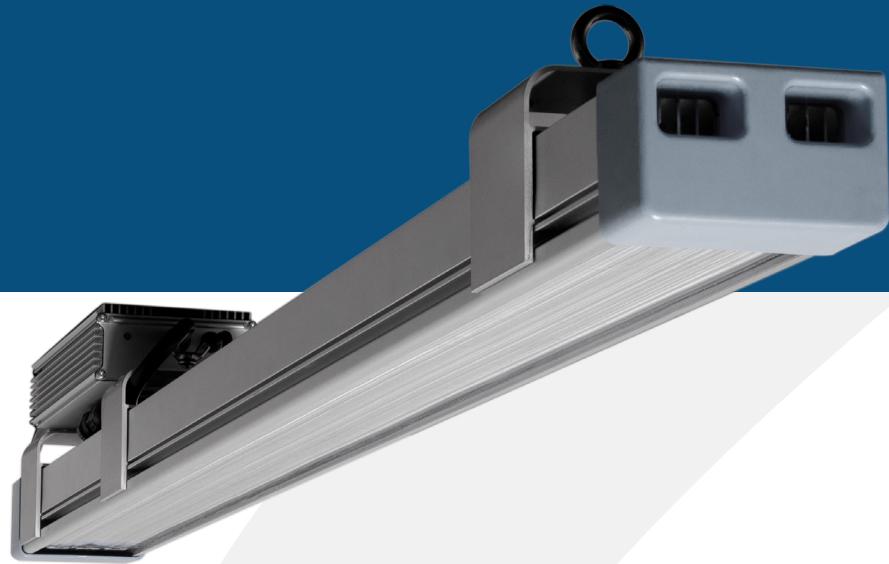




# THRIVE AGRITECH

222 Broadway New York, NY 10038  
(800) 205-7216  
thriveagritech.com  
info@thriveagritech.com



# APEX

## LED Light Bar

**APEX LED Light Bar is designed to optimize growth and yield in warehouses and greenhouses**

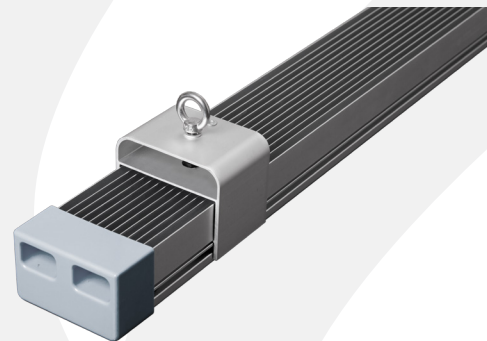
### APPLICATIONS & FEATURES

- Single-tier cannabis flower & veg up to 1,000 umols/m<sup>2</sup>/sec
- Greenhouse supplemental
- 10V dimming
- Simple wiring & daisy-chaining
- Passive cooling (no fans or water)
- 5-Year Warranty

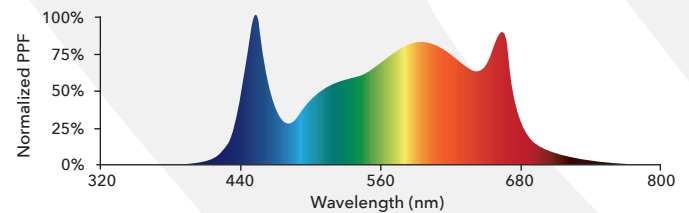
### SPECIFICATIONS

- APX-FS2-120
- 300W
- 2.6 umols/joule efficiency
- 780 umols/sec light output
- 110V-277V or 277V-480V
- Weight 12.8 lbs (5.8 kg)
- Power Factor > 0.9
- IP66, ETL, UL8800
- 40,000 Hour Lifetime (Q90/B20)
- 35C max ambient temperature

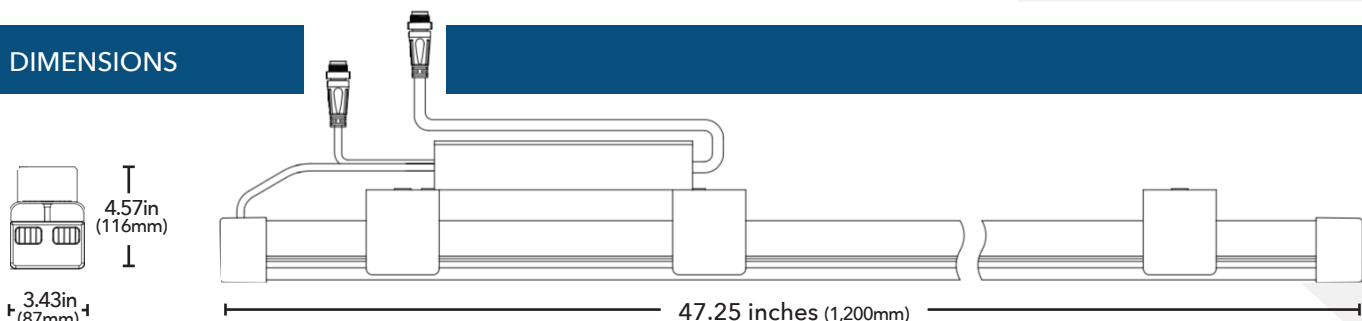
### BEAM ANGLE: 120 DEGREES



### FULL SPECTRUM WHITE



### DIMENSIONS





# THRIVE AGRITECH

222 Broadway New York, NY 10038  
(800) 205-7216  
thriveagritech.com  
info@thriveagritech.com

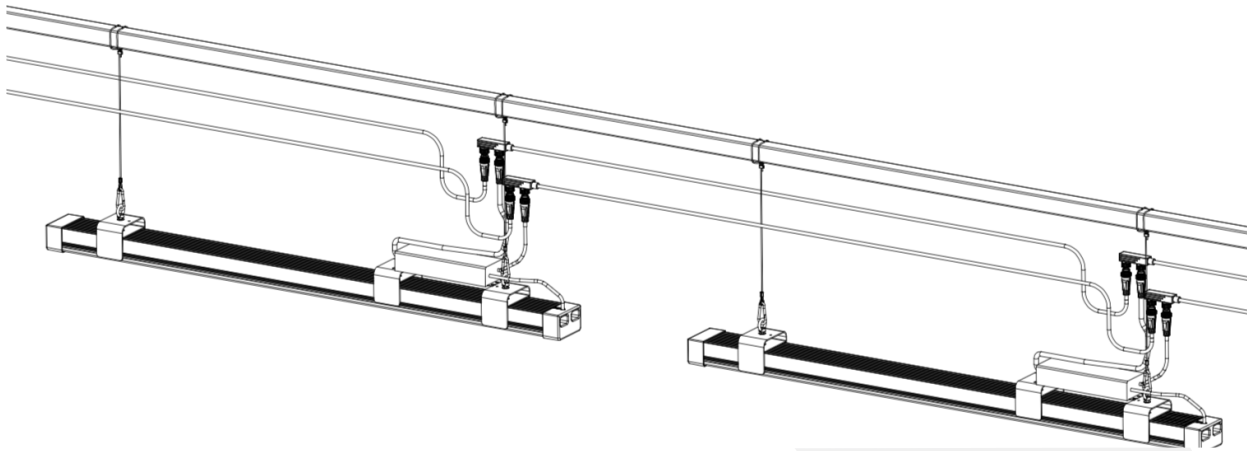


# APEX

## LED Light Bar

### WIRING & INTERCONNECTION

APEX LED light bars can be electrically connected with interconnection cables for both power and dimming. See installation manual for detailed instructions.



### MAXIMUM DAISY-CHAIN

| Voltage | Max # of connected lights | Current / Fixture |
|---------|---------------------------|-------------------|
| 110     | 3                         | 2.50A             |
| 240     | 6                         | 1.25A             |
| 277     | 7                         | 1.08A             |
| 347     | 9                         | 0.87A             |
| 480     | 12                        | 0.63A             |

### LIGHTING LAYOUTS

Lighting layouts for a variety of horticulture applications available, if you need a customized lighting layout, please contact our customer support team. (800) 205-7216 • thriveagritech.com • info@thriveagritech.com

