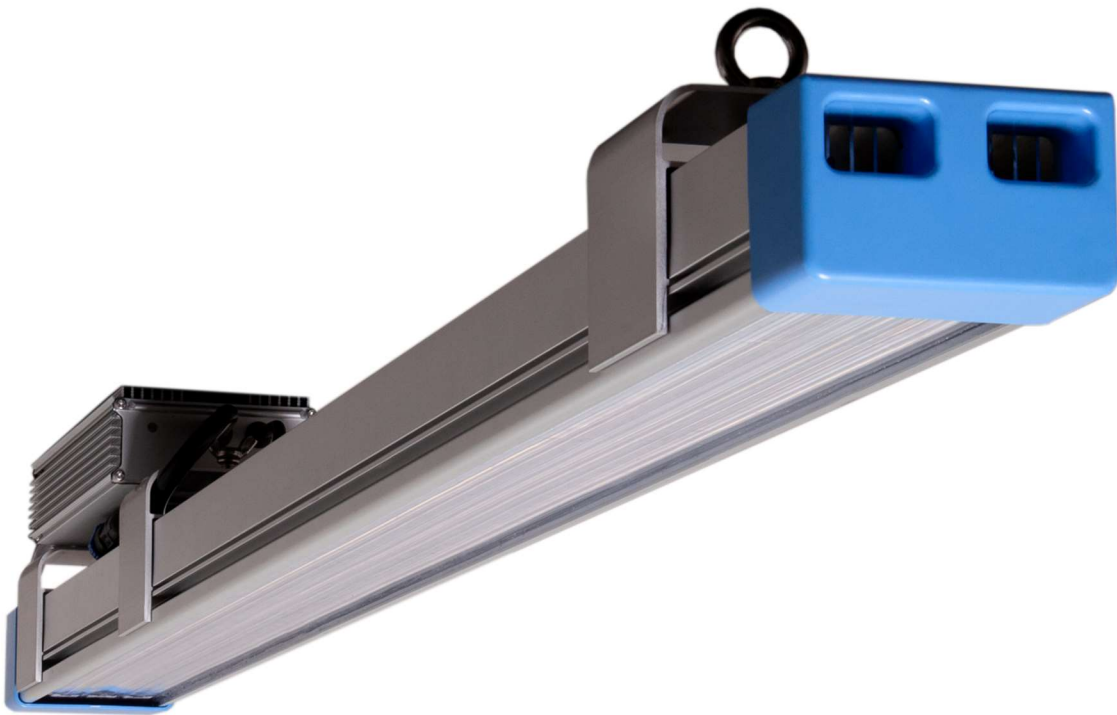


Installation Manual

Apex LED Light



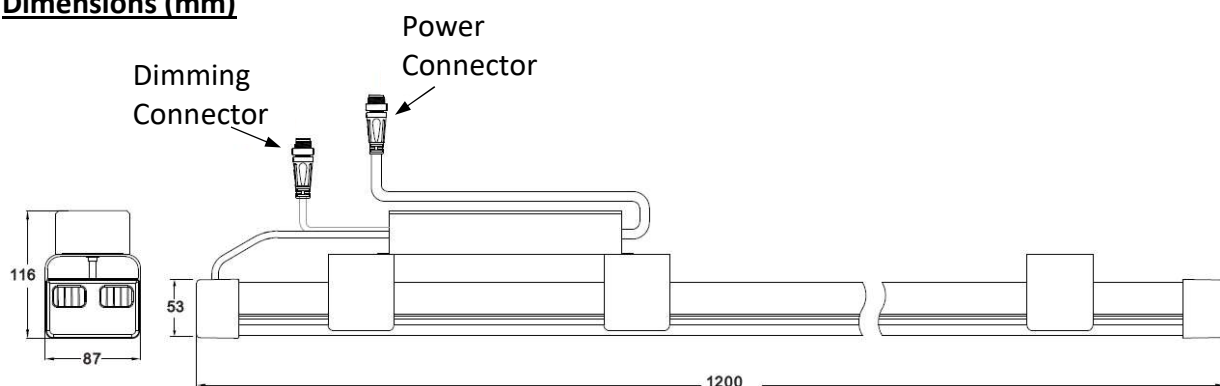
Background

This manual provides instructions for the installation of the Apex LED light bar and associated accessories. Please contact customer support with any installation questions.

General Guidelines

- Confirm the overall integrity of the light fixture prior to installation.
- Maintain at least 8 inches (0.2 meters) between the light fixture and any combustible materials.
- Keep the light fixture away from sources of heat.
- The LED light is an indoor fixture that should be operated within an ambient temperature range of -20°C to 35°C.
- Ensure power is off before installation. Installation must be carried out by qualified electricians.
- To clean the light fixture, switch power off and use a dry cloth without corrosive cleaning agents.

Dimensions (mm)



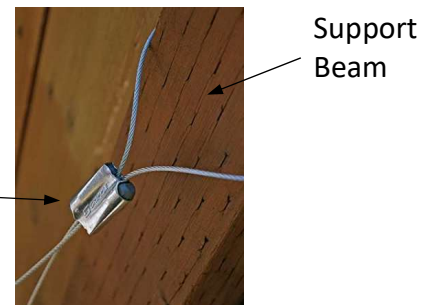
Mounting Guidelines

Steel suspension cables with snap hooks and cable clips should be used to mount the Apex light to a support beam. On one end of the cable, the snap hook interfaces with the eyelet hook on the light fixture. The other end of the cable wraps around the support beam and is secured with a cable clip.

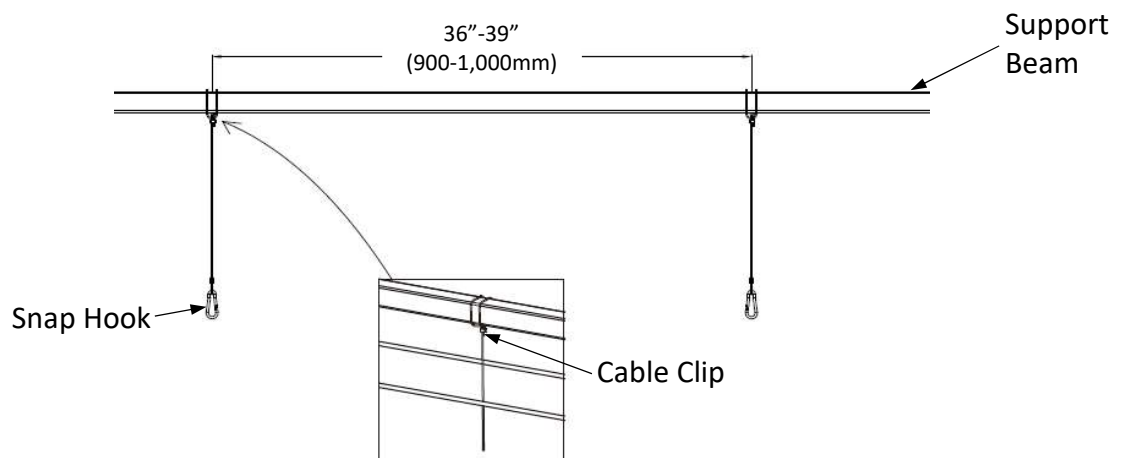
Cable with snap hook and cable clip



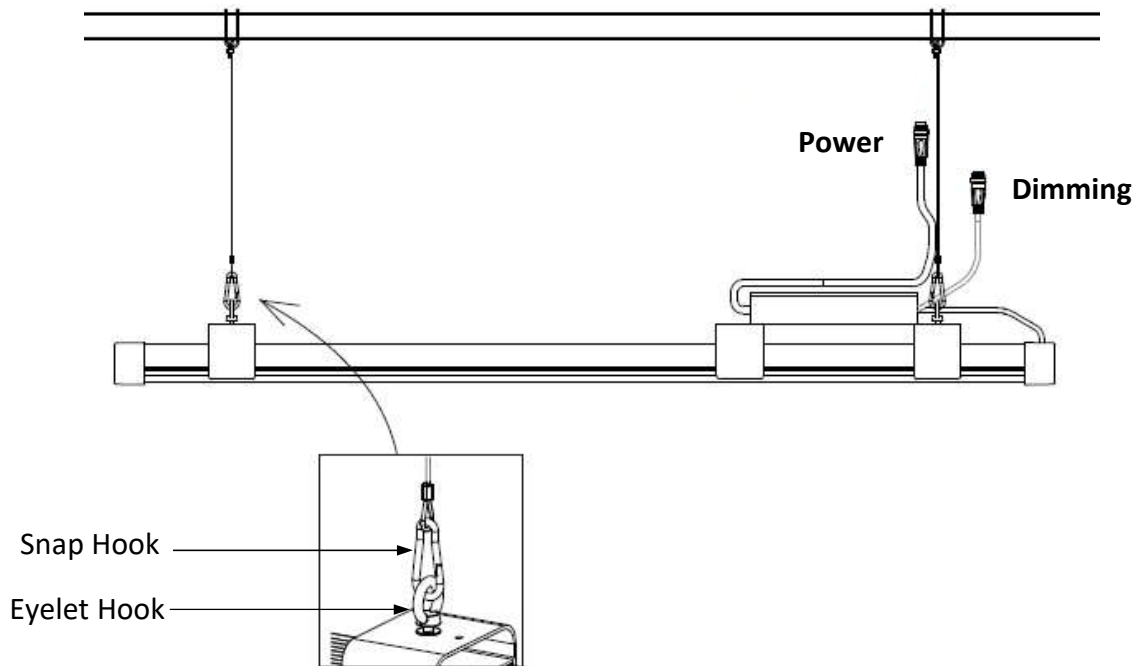
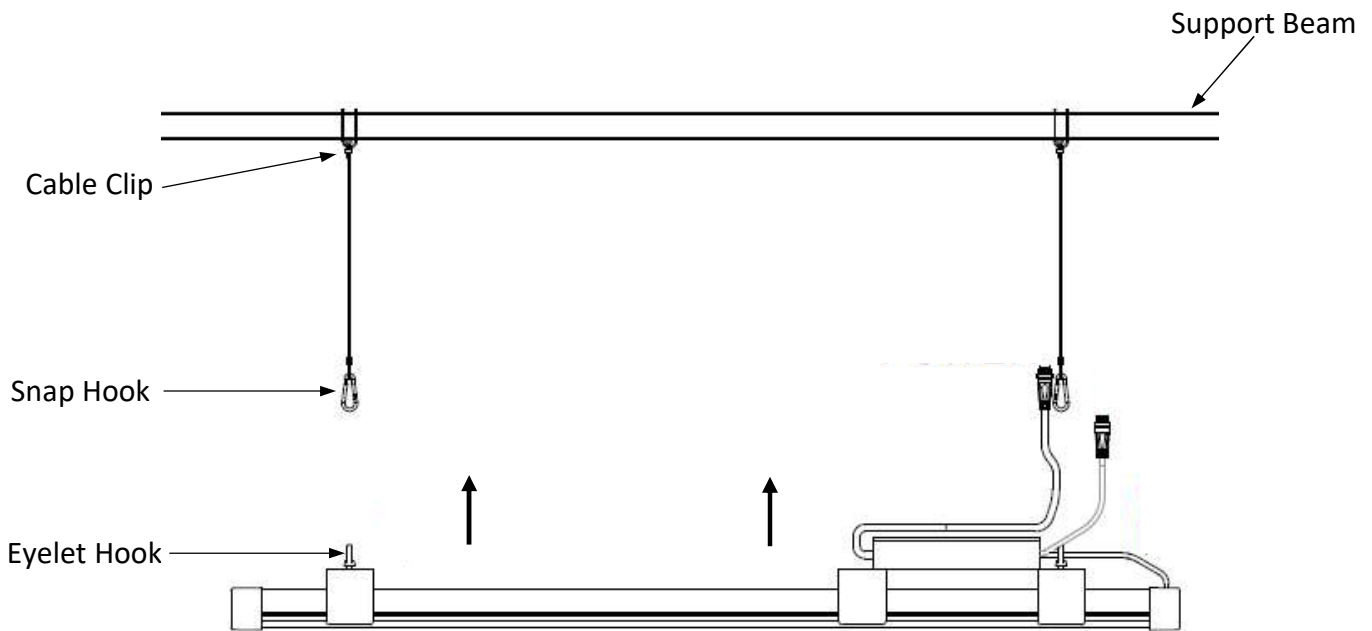
Cable Clip



Cable Spacing

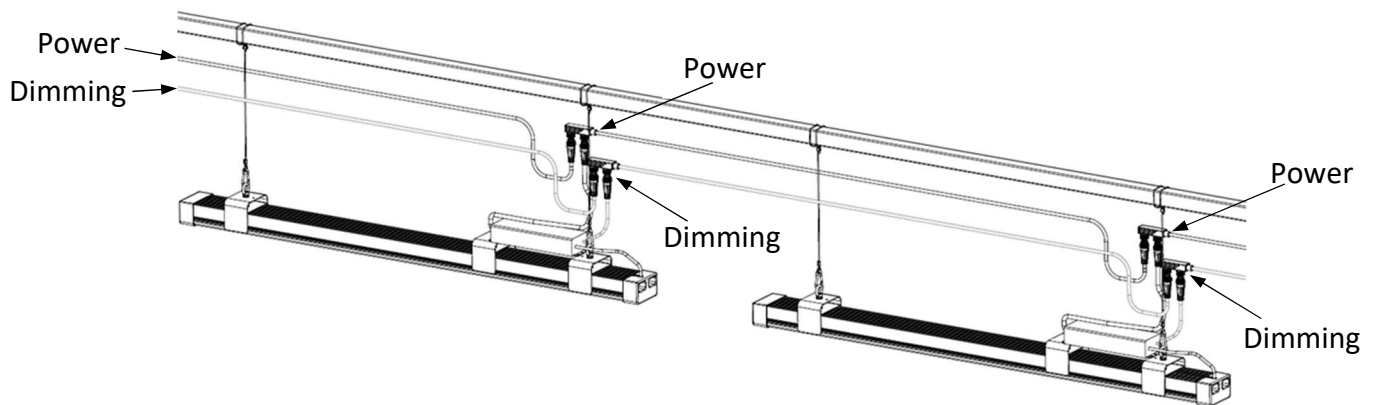
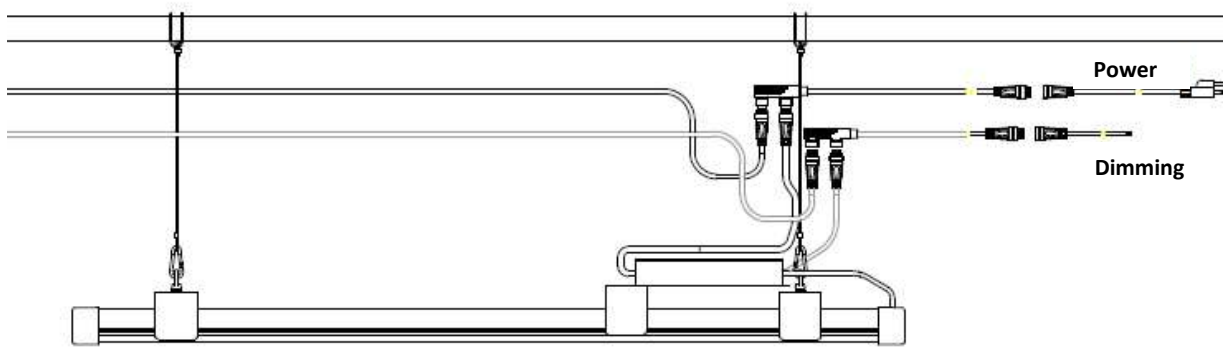


Mounting



Electrical Interconnections

Apex LED light bars can be electrically connected with interconnection cables for both power and dimming.



Daisy-Chaining

The maximum number of lights that can be connected at each voltage is shown in the table below. Also shown is the current to each light fixture at the operating condition of 300 watts/fixture. 16AWG wire is recommended.

	120 Volts	240 Volts	277 Volts	347 Volts	480 Volts
Max # of fixtures connected in a daisy-chain	3 fixtures	6 fixtures	7 fixtures	9 fixtures	12 fixtures
Current / fixture	2.5A	1.25A	1.08A	0.87A	0.63A