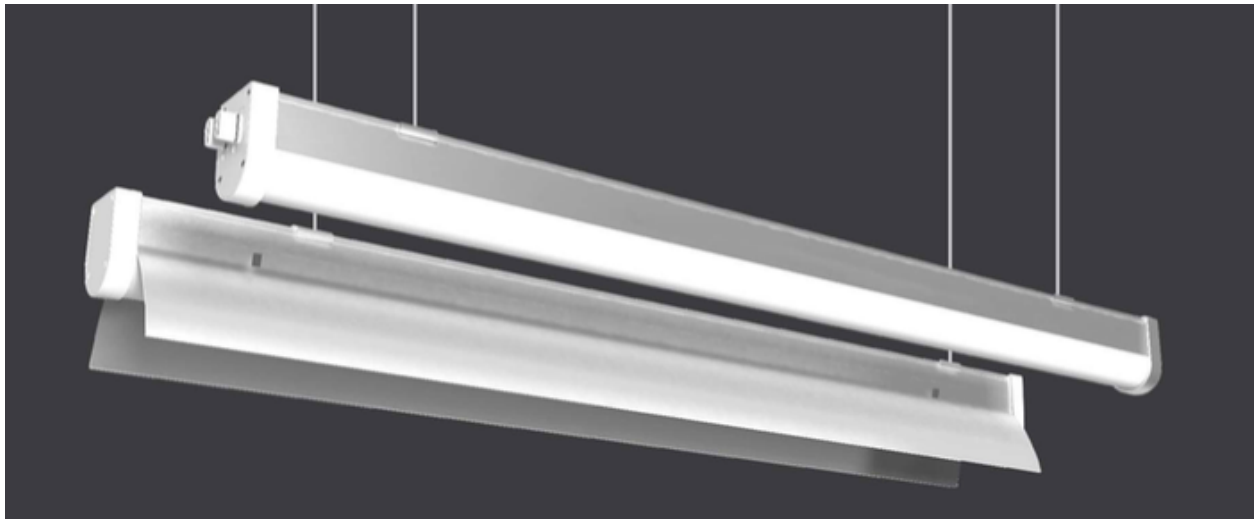


Installation Manual

Boost LED Light



Background

This manual provides guidance on installation of the Boost LED light bar and associated accessories. Please contact customer support with any installation questions not covered in this guide.

General Guidelines

- Confirm the overall integrity of the light fixture prior to installation.
- Maintain at least 8 inches (0.2 meters) between the light fixture and any combustible materials.
- Keep the light fixture away from sources of heat.
- The LED light is an indoor fixture that should be operated within an ambient temperature range of -20°C to 40°C.
- Ensure power is off before installation. Installation must be carried out by qualified electricians.
- To clean the light fixture, switch power off and use a dry cloth without corrosive cleaning agents.

Daisy-Chaining

The current to each light fixture at the operating condition of 130 watts/fixture and 120V, 240V & 277V is shown in the table below. Also shown is the maximum number of lights that can be linked together at each voltage. 16AWG wire is recommended.

Parameter	120 Volts	240 Volts	277 Volts
Nominal current / fixture	1.1A	0.55A	0.48A
Max # of fixtures linked together in a daisy-chain	7 fixtures	14 fixtures	19 fixtures

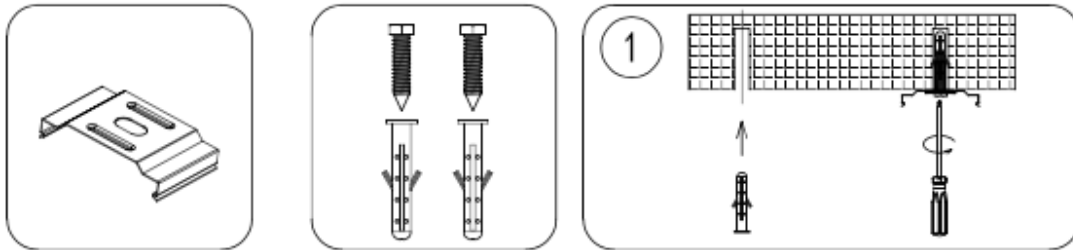
Mounting Guidelines

The Boost LED light can be flush mounted to a shelf, or suspension mounted by cables.

Flush Mount Installation

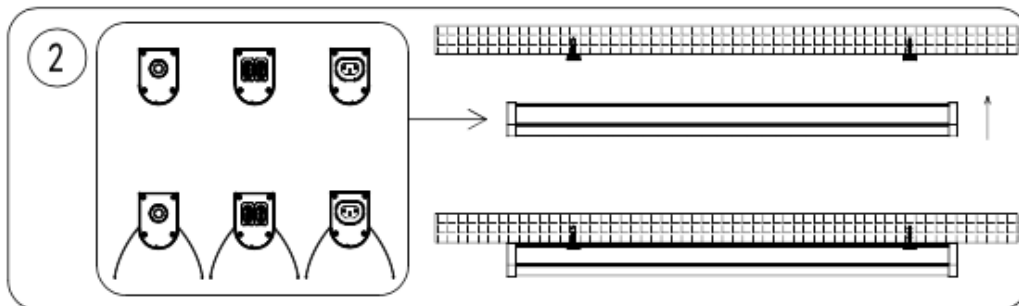
Step 1

Secure clip to mounting surface using mounting anchor and screws.



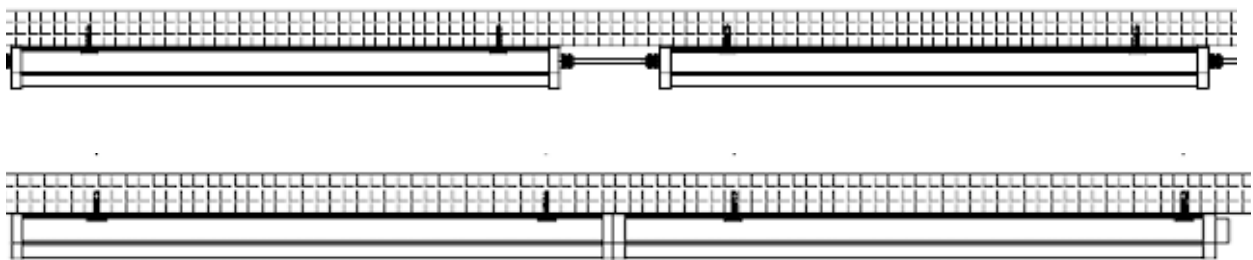
Step 2

Attach Boost light to clips.



Step 3

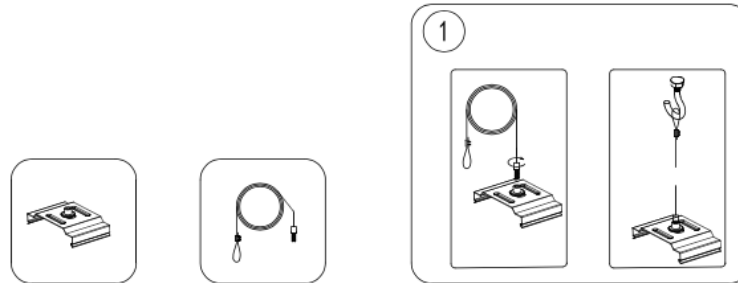
Install additional Boost lights and daisy chain using interconnection cables or end-to-end connections.



Suspension Mount Installation

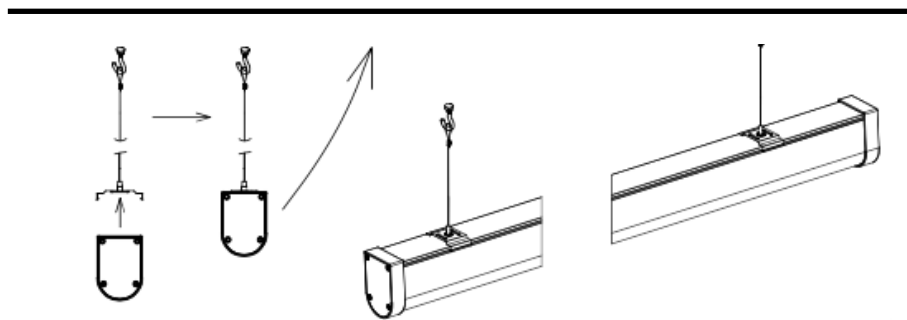
Step 1

Attach mounting clip to suspension cable.



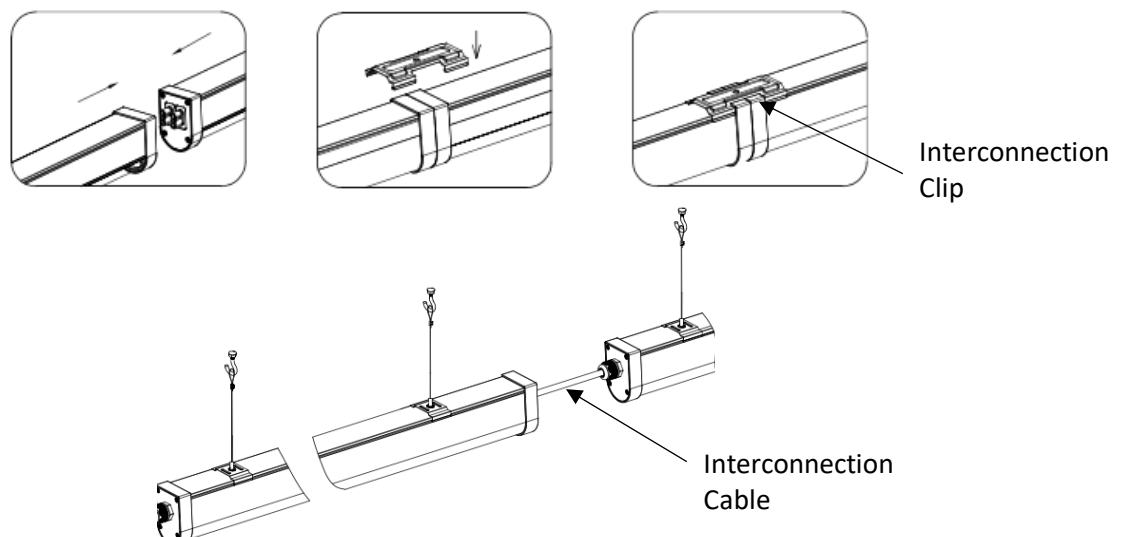
Step 2

Attach mounting clip to Boost light, then attach suspension cable to support structure.



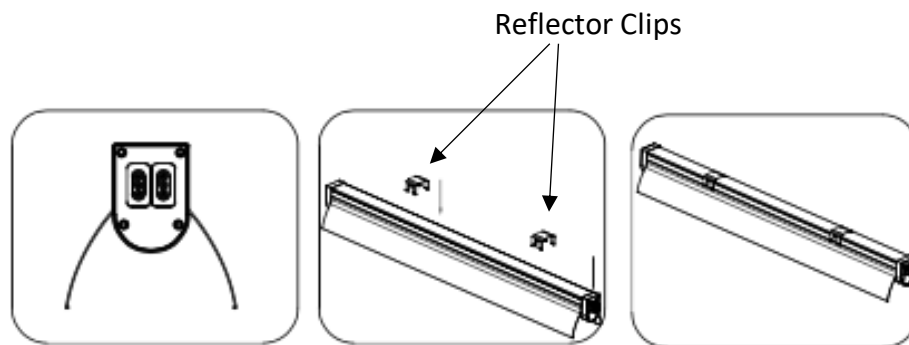
Step 3

For end-to-end daisy chain, use interconnection clips to secure Boost lights together. For cable daisy chain, use interconnection cables.



Installation of Reflectors to Boost light

Attach reflector clip to Boost light as shown in the figure below. After clip is attached, pull on the reflector to verify the reflector is properly secured.

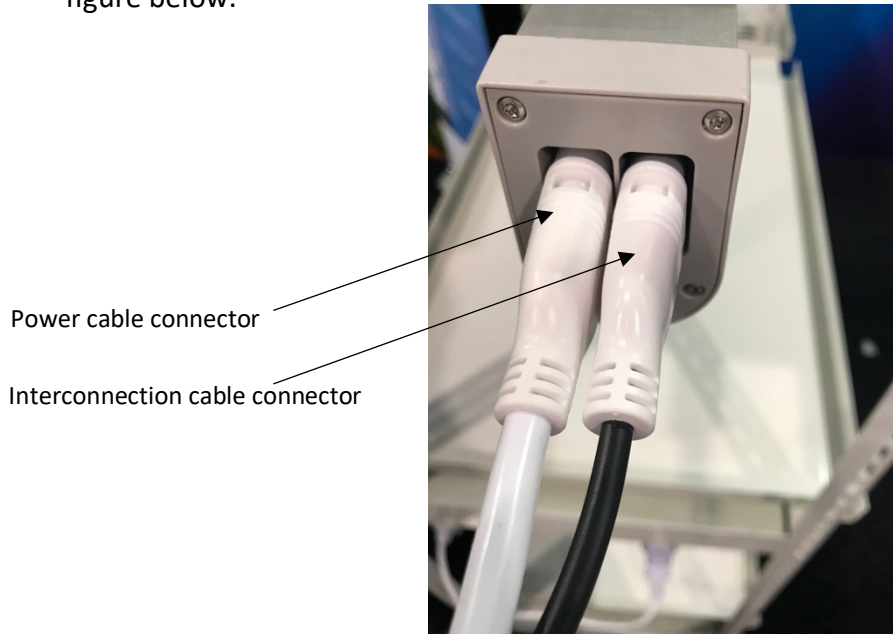


Electrical connections

It is important to ensure all electrical connections are robust and secure since a loose connection can result in an electrical malfunction.

Power Cable

Secure the power cable and interconnection cable (if applicable) to the light fixture power connector by pressing the cable connector firmly into the mating connector on the fixture – see figure below.



End-to-end daisy-chain connections

Be sure to use the interconnection clip for suspension mount installations to create a secure electrical connection when daisy-chaining fixtures together in an end-to-end fashion. As an additional safety precaution, it is recommended to use the interconnection clip for flush mount installations when daisy-chaining end-to-end. Below is a view of the interconnection clip connecting two Boost lights together.

